

Grub screws

Steel / Stainless Steel, with thrust point

SPECIFICATION

Types

- Type **SK**: with thrust point, hardened (only in steel, blackened)
- Type **SKN**: with thrust point, not hardened

Steel

Tensile strength class 5.8

blackened

Thrust point hardened (Type SK)

Thrust point not hardened (Type SKN)

zinc plated, blue passivated **ZB**

Thrust point not hardened (Type SKN)

Stainless Steel AISI 304 **NI**

Thrust point not hardened (Type SKN)



INFORMATION

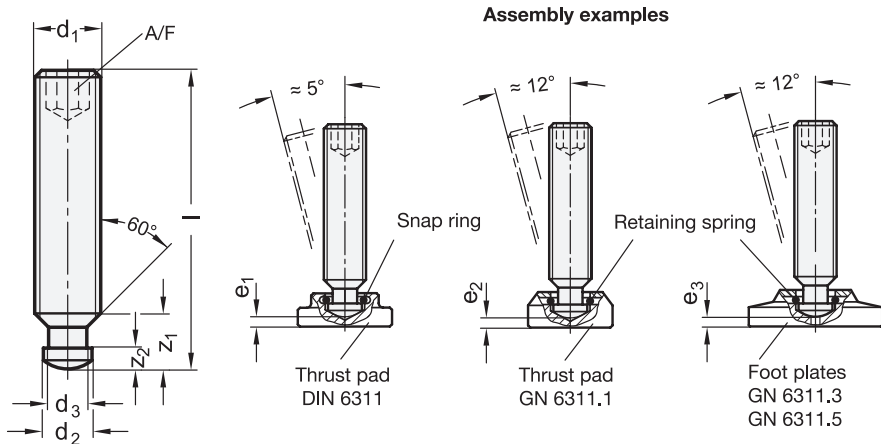
The thrust point of the grub screws DIN 6332 is designed to be used with or without the thrust pad for clamping.

The pin diameter of the grub screws is smaller than the core diameter of the thread, allowing them to be screwed in on the pin side.

The snap ring resp. snap spring of the thrust pad is a simple and quick method to connect the thrust pad to the grub screw.

TECHNICAL INFORMATION

- Stainless Steel characteristics (see page A26)
- ISO-Fundamental Tolerances (see page A21)
- Strength values of screws (see page A20)



* Complete with type index of the Grub screws

SK

SKN

DIN 6332

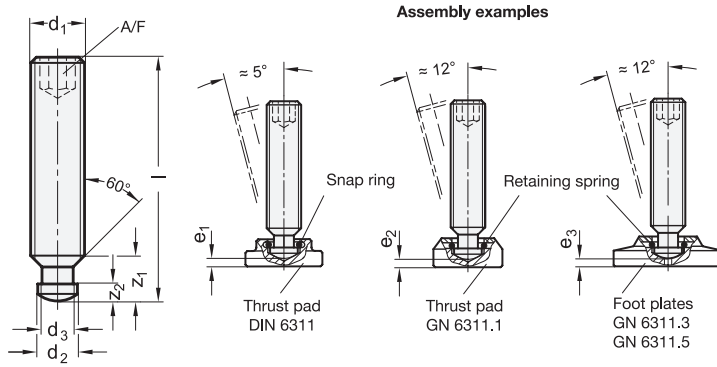
Description	d1	l	d2 h11	d3	e1 ≈	e2 ≈ Type A	e2 ≈ Type P	e3 ≈	A/F	z1 ≈	z2 ≈	⚖
DIN 6332-M6-30-*	M 6	30	4.5	4	2.2	-	-	-	3	6	2.5	4
DIN 6332-M6-35-*	M 6	35	4.5	4	2.2	-	-	-	3	6	2.5	4
DIN 6332-M6-40-*	M 6	40	4.5	4	2.2	-	-	-	3	6	2.5	6
DIN 6332-M6-45-*	M 6	45	4.5	4	2.2	-	-	-	3	6	2.5	8
DIN 6332-M6-50-*	M 6	50	4.5	4	2.2	-	-	-	3	6	2.5	9
DIN 6332-M8-35-*	M 8	35	6	5.4	3	2.2	5.3	2.5	4	7.5	3	8
DIN 6332-M8-40-*	M 8	40	6	5.4	3	2.2	5.3	2.5	4	7.5	3	11
DIN 6332-M8-45-*	M 8	45	6	5.4	3	2.2	5.3	2.5	4	7.5	3	13
DIN 6332-M8-50-*	M 8	50	6	5.4	3	2.2	5.3	2.5	4	7.5	3	14
DIN 6332-M8-60-*	M 8	60	6	5.4	3	2.2	5.3	2.5	4	7.5	3	17
DIN 6332-M8-70-*	M 8	70	6	5.4	3	2.2	5.3	2.5	4	7.5	3	21
DIN 6332-M10-45-*	M 10	45	8	7.2	3.6	2.6	5.6	4	5	9	4.5	19
DIN 6332-M10-50-*	M 10	50	8	7.2	3.6	2.6	5.6	4	5	9	4.5	23
DIN 6332-M10-55-*	M 10	55	8	7.2	3.6	2.6	5.6	4	5	9	4.5	24
DIN 6332-M10-60-*	M 10	60	8	7.2	3.6	2.6	5.6	4	5	9	4.5	28
DIN 6332-M10-65-*	M 10	65	8	7.2	3.6	2.6	5.6	4	5	9	4.5	30
DIN 6332-M10-80-*	M 10	80	8	7.2	3.6	2.6	5.6	4	5	9	4.5	36
DIN 6332-M12-50-*	M 12	50	8	7.2	4.5	2.9	6.9	4	6	10	4.5	28
DIN 6332-M12-60-*	M 12	60	8	7.2	4.5	2.9	6.9	4	6	10	4.5	35
DIN 6332-M12-65-*	M 12	65	8	7.2	4.5	2.9	6.9	4	6	10	4.5	42
DIN 6332-M12-70-*	M 12	70	8	7.2	4.5	2.9	6.9	4	6	10	4.5	44
DIN 6332-M12-80-*	M 12	80	8	7.2	4.5	2.9	6.9	4	6	10	4.5	50
DIN 6332-M12-100-*	M 12	100	8	7.2	4.5	2.9	6.9	4	6	10	4.5	66
DIN 6332-M16-65-*	M 16	65	12	11	5.3	4.5	9.2	4.3	8	12	5	65
DIN 6332-M16-70-*	M 16	70	12	11	5.3	4.5	9.2	4.3	8	12	5	83
DIN 6332-M16-75-*	M 16	75	12	11	5.3	4.5	9.2	4.3	8	12	5	90
DIN 6332-M16-80-*	M 16	80	12	11	5.3	4.5	9.2	4.3	8	12	5	92
DIN 6332-M16-100-*	M 16	100	12	11	5.3	4.5	9.2	4.3	8	12	5	110
DIN 6332-M16-125-*	M 16	125	12	11	5.3	4.5	9.2	4.3	8	12	5	150
DIN 6332-M20-80-*	M 20	80	15.5	14.4	5.6	-	-	-	10	14	5.5	139
DIN 6332-M20-90-*	M 20	90	15.5	14.4	5.6	-	-	-	10	14	5.5	150
DIN 6332-M20-100-*	M 20	100	15.5	14.4	5.6	-	-	-	10	14	5.5	189
DIN 6332-M20-125-*	M 20	125	15.5	14.4	5.6	-	-	-	10	14	5.5	239
DIN 6332-M20-150-*	M 20	150	15.5	14.4	5.6	-	-	-	10	14	5.5	280

DIN 6332-ZB

Description	d1	l	d2 h11	d3	e1 ≈	e2 ≈ Type A	e2 ≈ Type P	e3 ≈	A/F	z1 ≈	z2 ≈	⚖
DIN 6332-M10-45-SKN-ZB	M 10	45	8	7.2	3.6	2.6	5.6	2.5	5	9	4.5	19
DIN 6332-M10-55-SKN-ZB	M 10	55	8	7.2	3.6	2.6	5.6	2.5	5	9	4.5	20
DIN 6332-M10-65-SKN-ZB	M 10	65	8	7.2	3.6	2.6	5.6	2.5	5	9	4.5	29
DIN 6332-M10-80-SKN-ZB	M 10	80	8	7.2	3.6	2.6	5.6	2.5	5	9	4.5	37
DIN 6332-M12-50-SKN-ZB	M 12	50	8	7.2	4.5	2.9	6.9	4	6	10	4.5	30
DIN 6332-M12-60-SKN-ZB	M 12	60	8	7.2	4.5	2.9	6.9	4	6	10	4.5	36
DIN 6332-M12-70-SKN-ZB	M 12	70	8	7.2	4.5	2.9	6.9	4	6	10	4.5	42
DIN 6332-M12-80-SKN-ZB	M 12	80	8	7.2	4.5	2.9	6.9	4	6	10	4.5	50
DIN 6332-M12-100-SKN-ZB	M 12	100	8	7.2	4.5	2.9	6.9	4	6	10	4.5	65
DIN 6332-M16-65-SKN-ZB	M 16	65	12	11	5.3	4.5	9.2	4	8	12	5	72
DIN 6332-M16-70-SKN-ZB	M 16	70	12	11	5.3	4.5	9.2	4	8	12	5	79
DIN 6332-M16-80-SKN-ZB	M 16	80	12	11	5.3	4.5	9.2	4	8	12	5	97
DIN 6332-M16-125-SKN-ZB	M 16	125	12	11	5.3	4.5	9.2	4	8	12	5	145
DIN 6332-M20-90-SKN-ZB	M 20	90	15.5	14.4	5.6	-	-	4.3	10	14	5.5	163
DIN 6332-M20-100-SKN-ZB	M 20	100	15.5	14.4	5.6	-	-	4.3	10	14	5.5	183
DIN 6332-M20-125-SKN-ZB	M 20	125	15.5	14.4	5.6	-	-	4.3	10	14	5.5	234
DIN 6332-M20-150-SKN-ZB	M 20	150	15.5	14.4	5.6	-	-	4.3	10	14	5.5	285



Machine elements



DIN 6332-NI

STAINLESS STEEL

Description	d1	l	d2 h11	d3	e1 ≈	e2 ≈ Type A	e2 ≈ Type P	e3 ≈	A/F	z1 ≈	z2 ≈	⚖
DIN 6332-M6-30-SKN-NI	M 6	30	4.5	4	2.1	1.5	4.5	-	3	6	2.5	4
DIN 6332-M6-35-SKN-NI	M 6	35	4.5	4	2.1	1.5	4.5	-	3	6	2.5	5
DIN 6332-M6-40-SKN-NI	M 6	40	4.5	4	2.1	1.5	4.5	-	3	6	2.5	6
DIN 6332-M6-45-SKN-NI	M 6	45	4.5	4	2.1	1.5	4.5	-	3	6	2.5	8
DIN 6332-M6-50-SKN-NI	M 6	50	4.5	4	2.1	1.5	4.5	-	3	6	2.5	9
DIN 6332-M8-35-SKN-NI	M 8	35	6	5.4	3	2.3	4.5	M 8	4	7.5	3	10
DIN 6332-M8-40-SKN-NI	M 8	40	6	5.4	3	2.3	5.3	-	4	7.5	3	12
DIN 6332-M8-45-SKN-NI	M 8	45	6	5.4	3	2.3	5.3	-	4	7.5	3	13
DIN 6332-M8-50-SKN-NI	M 8	50	6	5.4	3	2.3	5.3	-	4	7.5	3	14
DIN 6332-M8-60-SKN-NI	M 8	60	6	5.4	3	2.3	5.3	-	4	7.5	3	17
DIN 6332-M8-70-SKN-NI	M 8	70	6	5.4	3	2.3	5.3	-	4	7.5	3	19
DIN 6332-M10-45-SKN-NI	M 10	45	8	7.2	3.6	2.6	5.6	-	5	9	4.5	20
DIN 6332-M10-50-SKN-NI	M 10	50	8	7.2	3.6	2.6	5.6	-	5	9	4.5	23
DIN 6332-M10-55-SKN-NI	M 10	55	8	7.2	3.6	2.6	5.6	-	5	9	4.5	24
DIN 6332-M10-60-SKN-NI	M 10	60	8	7.2	3.6	2.6	5.6	-	5	9	4.5	26
DIN 6332-M10-65-SKN-NI	M 10	65	8	7.2	3.6	2.6	5.6	-	5	9	4.5	30
DIN 6332-M10-80-SKN-NI	M 10	80	8	7.2	3.6	2.6	5.6	-	5	9	4.5	32
DIN 6332-M12-50-SKN-NI	M 12	50	8	7.2	4.6	2.9	6.9	3.7	6	10	4.5	35
DIN 6332-M12-60-SKN-NI	M 12	60	8	7.2	4.6	2.9	6.9	3.7	6	10	4.5	39
DIN 6332-M12-65-SKN-NI	M 12	65	8	7.2	4.6	2.9	6.9	3.7	6	10	4.5	42
DIN 6332-M12-70-SKN-NI	M 12	70	8	7.2	4.6	2.9	6.9	3.7	6	10	4.5	43
DIN 6332-M12-80-SKN-NI	M 12	80	8	7.2	4.6	2.9	6.9	3.7	6	10	4.5	50
DIN 6332-M12-100-SKN-NI	M 12	100	8	7.2	4.6	2.9	6.9	3.7	6	10	4.5	66
DIN 6332-M16-65-SKN-NI	M 16	65	12	11	5.4	4.5	9.5	4	8	12	5	69
DIN 6332-M16-70-SKN-NI	M 16	70	12	11	5.4	4.5	9.5	4	8	12	5	83
DIN 6332-M16-75-SKN-NI	M 16	75	12	11	5.4	4.5	9.5	4	8	12	5	90
DIN 6332-M16-80-SKN-NI	M 16	80	12	11	5.4	4.5	9.5	4	8	12	5	92
DIN 6332-M16-100-SKN-NI	M 16	100	12	11	5.4	4.5	9.5	4	8	12	5	116
DIN 6332-M16-125-SKN-NI	M 16	125	12	11	5.4	4.5	9.5	4	8	12	5	141
DIN 6332-M20-80-SKN-NI	M 20	80	15.5	14.4	5.5	4.5	10.5	4.3	10	14	5.5	151
DIN 6332-M20-90-SKN-NI	M 20	90	15.5	14.4	5.5	4.5	10.5	4.3	10	14	5.5	171
DIN 6332-M20-100-SKN-NI	M 20	100	15.5	14.4	5.5	4.5	10.5	4.3	10	14	5.5	189
DIN 6332-M20-125-SKN-NI	M 20	125	15.5	14.4	5.5	4.5	10.5	4.3	10	14	5.5	234
DIN 6332-M20-150-SKN-NI	M 20	150	15.5	14.4	5.5	4.5	10.5	4.3	10	14	5.5	285

Machine elements 9